

# UHC and UHC-P Auxiliary External Power Cord Kit

826-3187

Follow these instructions to install an additional power cord on a UHC or UHC-P cabinet, which will be connected to an external auxiliary power supply that exclusively powers the control circuits.

1. Remove power from unit.
2. Remove sides by removing two screws at the base of each side.
3. Remove top by removing screws securing top to the cabinet.
4. Remove the plug in the side of the cabinet opposite the existing power cord and route the new cord with strain relief into the cabinet.
5. **If a cord is to be routed out the rear of the cabinet, see instructions for special strain relief and wire hanger on pages 4-5.**
6. Follow the wiring diagrams on the included pages to install the provided wire:
  - **UHC-P, page 2**
  - **UHC, page 3**
7. Return the unit to position and test.



**UHC-P**



**UHC**



**Figure 1:** All units are disassembled in a similar fashion. Two screws, at the base of each side, secure the side panels.



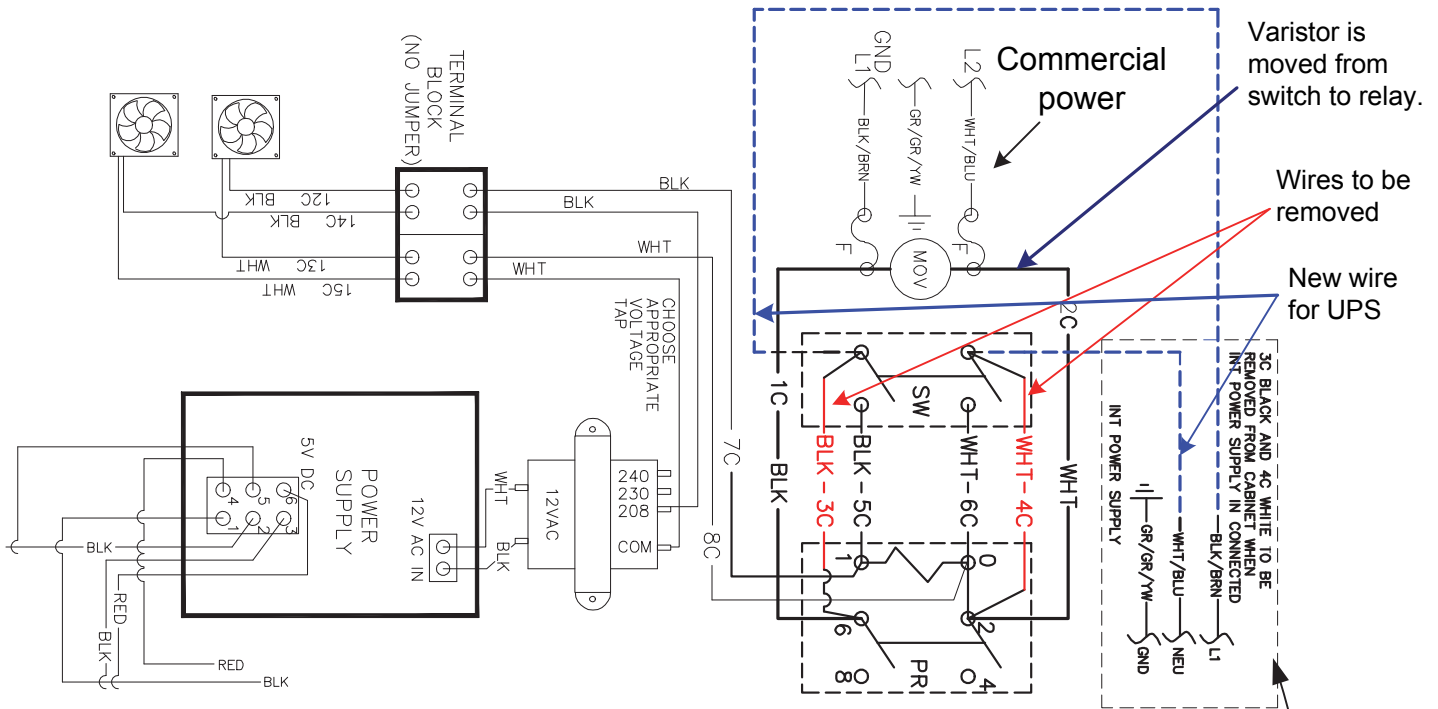
**Figure 2:** The top is secured with tabs, which extend down and are captured by screws just under the lid.

## **IN KIT 8263187**

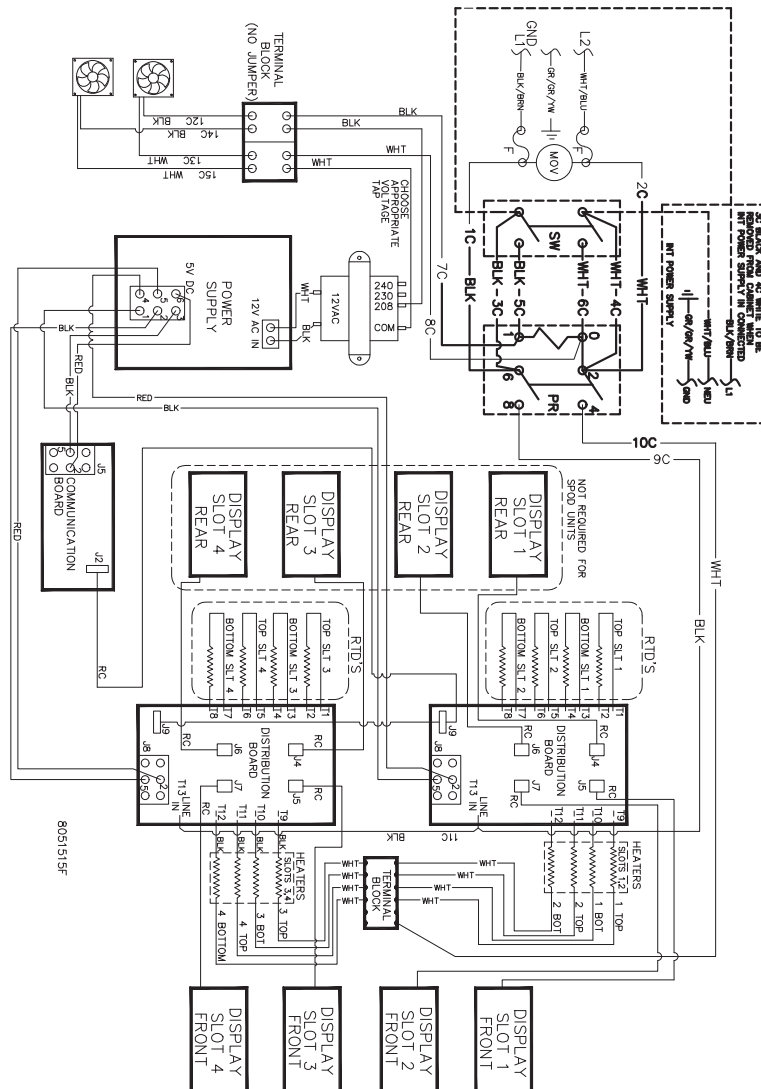
- 8197106 - INSTRUCTIONS, UPS CORD KIT UHC(P)
- 8051342 – DIAGRAM, UHC
- 8051515 – DIAGRAM, UHCP
- 8075250 – CORDSET, INT POWER
- 2003639 – BRACKET, CORDSET UHC
- 8023126 – LABEL, UHC CORD WARNING
- W1C602 - WIRE
- W63C517 - WIRE
- 8075714 – RELIEF, 90 DEG STRAIN
- 1086084 – HANGER, REAR CORD UHC(P)
- 8150958 – WIPE, ANTISEPTIC
- 2600900 – BRACKET, CORD UHC(P)

# UHC-P

1. Follow directions on Page 1 to access unit component shelf.
2. Remove wires 4C White and 3C Black (see arrows). The existing power cord and the added wiring are shown below in an inset from the wiring diagram and in the complete diagram.
3. Attach new power cord for external power supply as shown below.



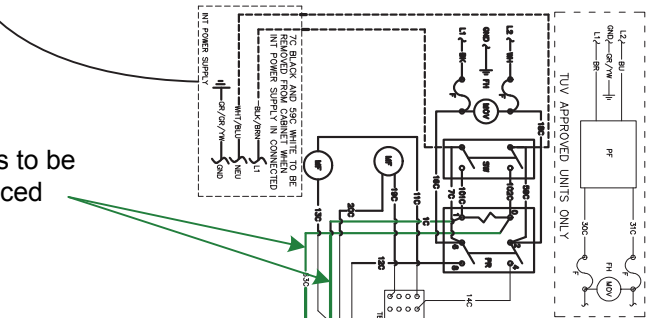
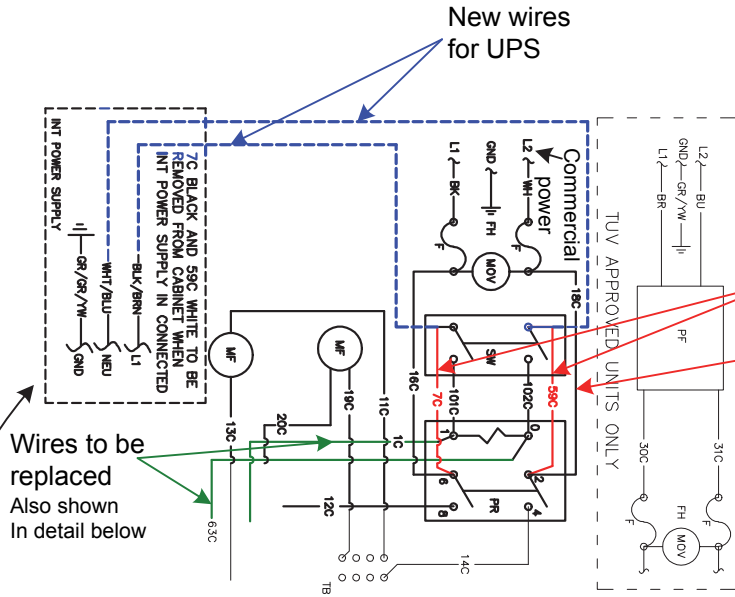
If a cord is to be routed out the rear of the cabinet, see instructions for special strain relief and wire hanger on pages 4-5.



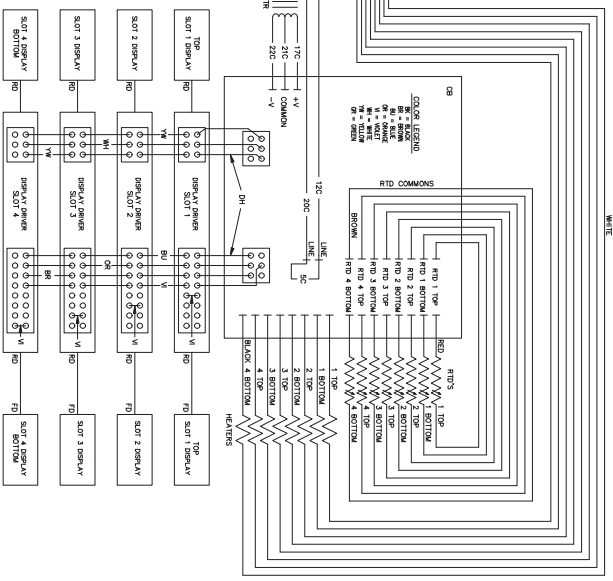
# UHC

1. Follow directions on Page 1 to access unit component shelf.
2. Remove wires 7C Black and 59C White (see arrows). The existing power cord and the added wiring are shown below in the inset from the wiring diagram and in the complete diagram.
3. Replace wire 1C with W1C601 and replace wire 63C with W63C517.
3. Attach new power cord for external power supply as shown below.

If a cord is to be routed out the rear of the cabinet, see instructions for special strain relief and wire hanger on pages 4-5.



Wires to be replaced

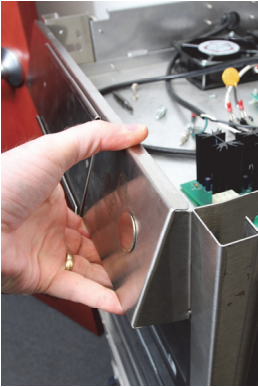


8051342C

# UHC-P, UHC 90° Rear Cord Exit Instructions

## Kit No. 826-3187

Follow these instructions if routing the additional power cord through the rear bezel of an original UHC or UHC-P.



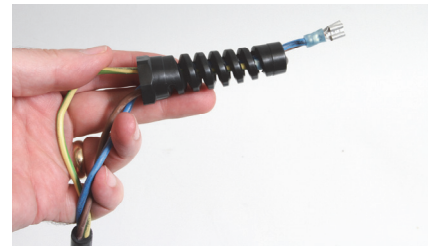
**Step 1:** It may be necessary to flip the rear bezel to position the cord exit port on the right side on some modes of UHC-P and UHC. The provided strain relief bracket must be mounted on the right side of the bezel. The cord goes across the bezel, right to left. The new cord holder is attached to the cabinet well left of the strain relief. See drawing in Step 10. With the top off the unit, remove the four screws securing the bezel and reinstall with the cord port on the right.



**Step 2:** Remove existing strain relief on the provided cord.



**Step 3:** Slide cord into 90° strain relief. Feed leads, one at a time, through strain relief. Remove pig tail if necessary. **DO NOT** close strain relief.

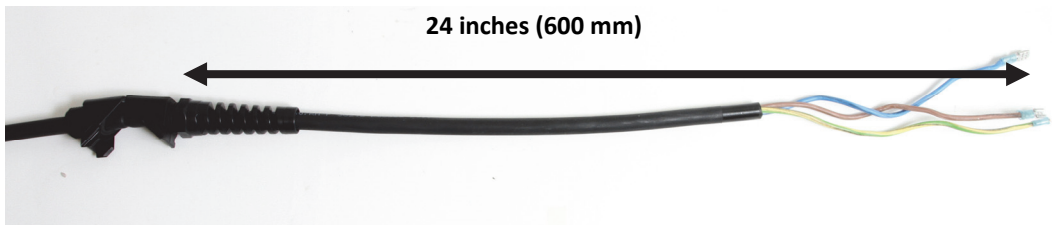


**Step 4:** Slide leads, one at a time, through the pigtail.



### WARNING

Failure to install the cord hanger leaves the cord subject to rotational stresses when removing trays. This can lead to failure and exposure of electrical wires. Failure to disconnect cord when moving the unit can damage the cord, leading to electrical failure.

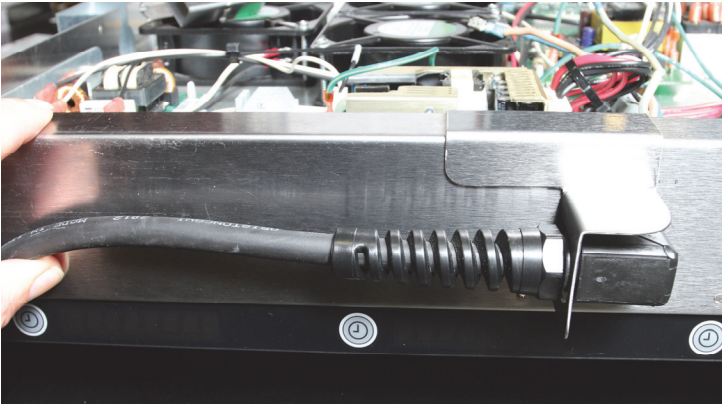


**Step 5:** Reattach pig tail to strain relief. Ensure 24 inches (600mm) extends from the base of the strain relief to the terminal ends. **DO NOT CLOSE** the 90° strain relief until the proper length is established. **IT CAN'T BE REOPENED.**

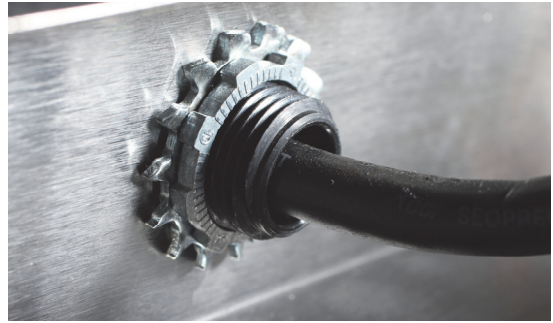
**Step 6:** Remove plug from rear fascia on cabinet to accommodate routing wire.

## UHC-P, UHC 90° Rear Cord Exit Instructions

Kit No. 826-3187

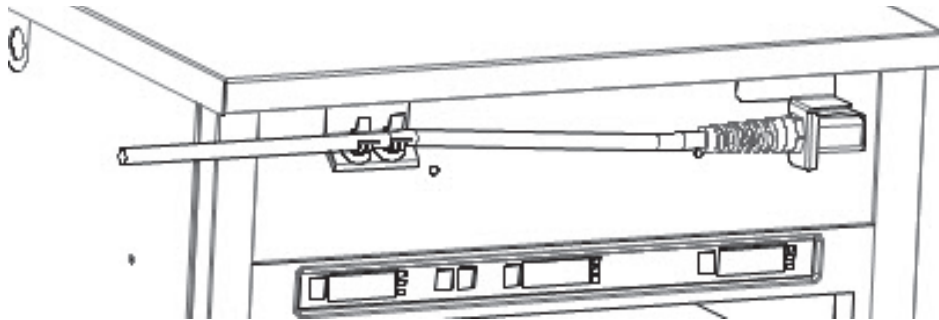


**Step 7:** After ensuring the leads reach their connection points, close the strain relief and route the wire leads through the slip star washer and nut and into the cabinet and connect. Fit the bracket and strain relief loosely to the cabinet fascia.



**Step 8:** Slip star washer and locking nut onto strain relief and secure.

**Step 9:** Clean with alcohol wipe the space to be occupied by the cord-holding bracket and the cord warning label.



**Step 10:** Remove the film from the adhesive on back of the cord-holding bracket. Hook the bracket over the fascia (DO NOT place over circuit breaker.) and hold firmly to the cabinet for 10 seconds. Attach cord to bracket.

**Step 11:** Attach the cord warning label between the two brackets.

**Step 12:** Restore power and test unit.

**Step 13:** Replace top, sides and return unit to service.